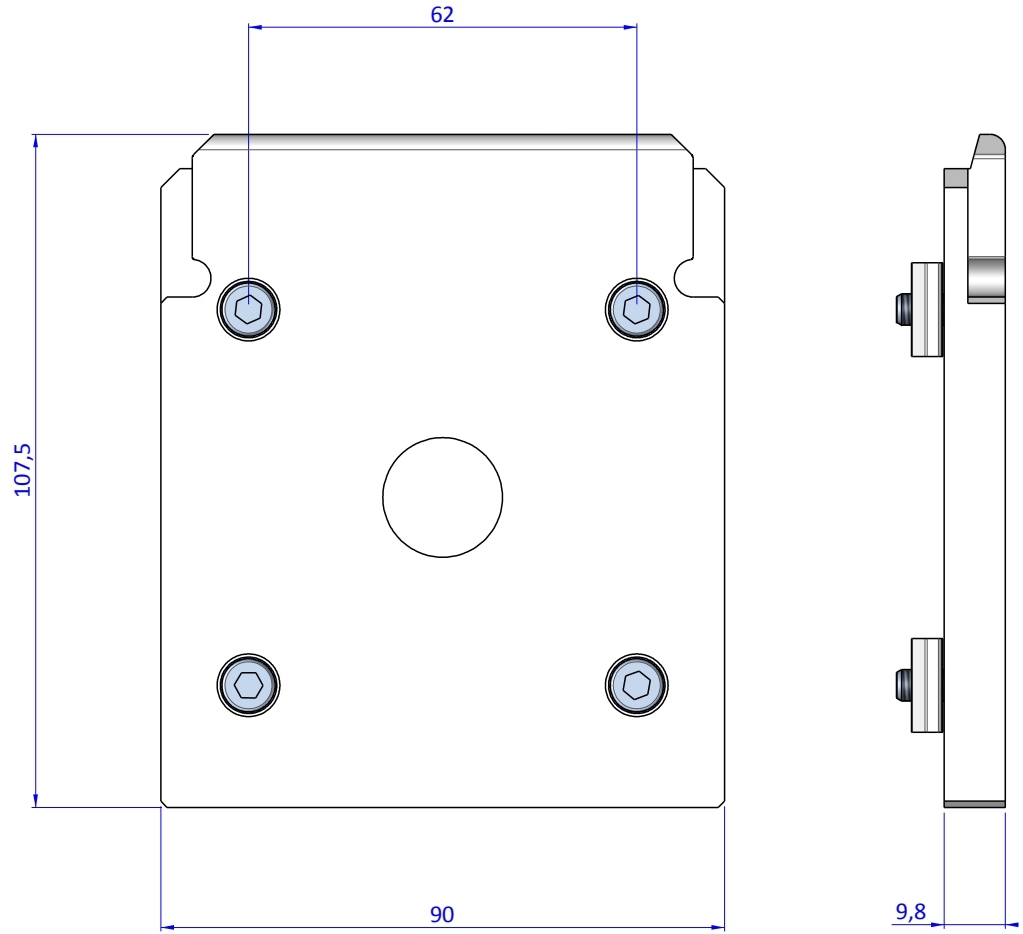
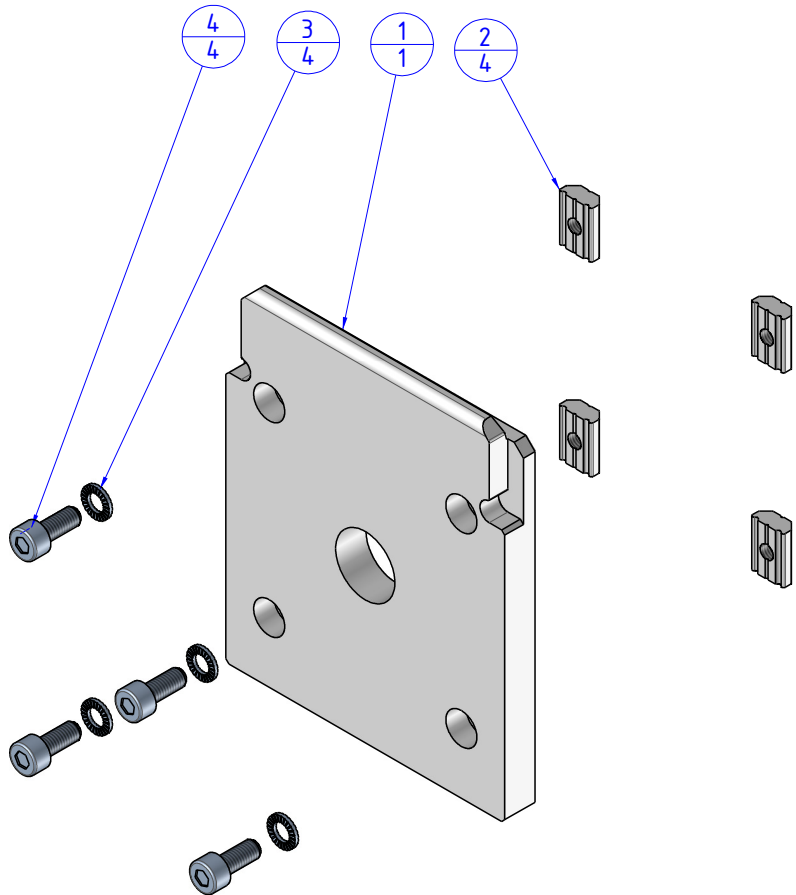


THE PROPERTY OF THE DRAWING IS ESTABLISHED BY LAW. IT IS FORBIDDEN TO PRODUCE OR SHOW IT TO THIRD PARTY, WITHOUT A WRITTEN AGREEMENT.

Item	Name	Q. ty
1	CA.01.02.008	1
2	CA.GWP.5U	4
3	R.5.SCH	4
4	V.TCE5x12	4



Format A3

UNI 936-76

FP SERVICES AUTOMATION		DESIGNED FROM		REVIEW
		FPSERVICES		A / 13
GENERAL TOLERANCE		DATE	WEIGHT	
UNI - ISO 2768		16/10/2018	0.262kg	
CLASSE f		CODE		CA.01.02.008.X
		CA.01.02.008.X		